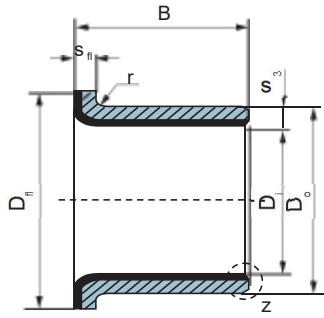
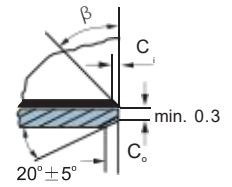
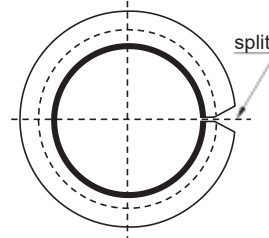


PVB010 Flange Bushing



S_3	1.0	1.5	2.0	2.5
r	$1^{+0.5}$	1 ± 0.5	1.5 ± 0.5	2 ± 0.5



Detail z

Unit:mm

shaft D_s	Housing $H7/D_H$	oD tolerance D_o	1D after fixed $D_{i,a}$	Clearance C_o	Designation	wall thickness s_3	Dimension				
							D_i	D_o	$D_n \pm 0.5$	$B \pm 0.25$	$s_r \pm 0.2$
6 -0.013 -0.028	8 +0.015	8 +0.055 +0.025	6.055 5.990	0.077 0.000	PVB010F06040	1.005	6	8	12	4	1
					PVB010F06070					7	
8 -0.013 -0.028	10 +0.015	10 +0.055 +0.025	8.055 7.990	0.083 0.003	PVB010F08055	1.005	8	10	15	5.5	1
					PVB010F08075					7.5	
10 -0.016 -0.034	12 +0.018	12 +0.055 +0.025	10.058 9.990	0.086 0.003	PVB010F10070	1.005	10	12	18	7	1
					PVB010F10090					9	
					PVB010F10120					12	
12 -0.016 -0.034	14 +0.018	14 +0.065 +0.030	12.058 11.990	0.092 0.006	PVB010F12070	1.005	12	14	20	7	1
					PVB010F12090					9	
					PVB010F12120					12	
14 -0.016 -0.034	16 +0.018	16 +0.065 +0.030	14.058 13.990	0.092 0.006	PVB010F14120	1.005	14	16	22	12	1
					PVB010F14170					17	
					PVB010F15090					9	
15 -0.016 -0.034	17 +0.018	17 +0.065 +0.030	15.058 14.990	0.092 0.006	PVB010F15120	1.005	15	17	23	12	1
					PVB010F15170					17	
					PVB010F16120					12	
16 -0.016 -0.034	18 +0.018	18 +0.065 +0.030	16.058 15.990	0.092 0.006	PVB010F16170	1.005	16	18	24	17	1
					PVB010F18120					12	
18 -0.016 -0.034	20 +0.021	20 +0.075 +0.035	18.061 17.990	0.095 0.006	PVB010F18170	1.005	18	20	26	17	1
					PVB010F18200					20	
					PVB010F20115					11.5	
20 -0.020 -0.041	23 +0.021	23 +0.075 +0.035	20.071 19.990	0.112 0.010	PVB010F20165	1.505	20	23	30	16.5	1.5
					PVB010F20215					21.5	
					PVB010F22150					15	
22 -0.020 -0.041	25 +0.021	25 +0.075 +0.035	22.071 21.990	0.112 0.010	PVB010F22200	1.505	22	25	32	20	1.5
					PVB010F25115					11.5	
					PVB010F25165					16.5	
25 -0.020 -0.041	28 +0.021	28 +0.075 +0.035	25.071 24.990	0.112 0.010	PVB010F25215	1.505	25	28	35	21.5	1.5
					PVB010F30160					16	
30 -0.025 -0.050	34 +0.025	34 +0.075 +0.035	30.085 29.990	0.126 0.010	PVB010F30260	2.005	30	34	42	26	2
					PVB010F35160					16	
35 -0.025 -0.050	39 +0.025	39 +0.085 +0.045	35.085 34.990	0.015	PVB010F35260	2.005	35	39	47	26	2
					PVB010F40260					26	
					PVB010F40400					40	
40 -0.025 -0.050	44 +0.025	44 +0.085 +0.045	40.085 39.990	0.015	PVB010F40400	2.005	40	44	53	40	2